

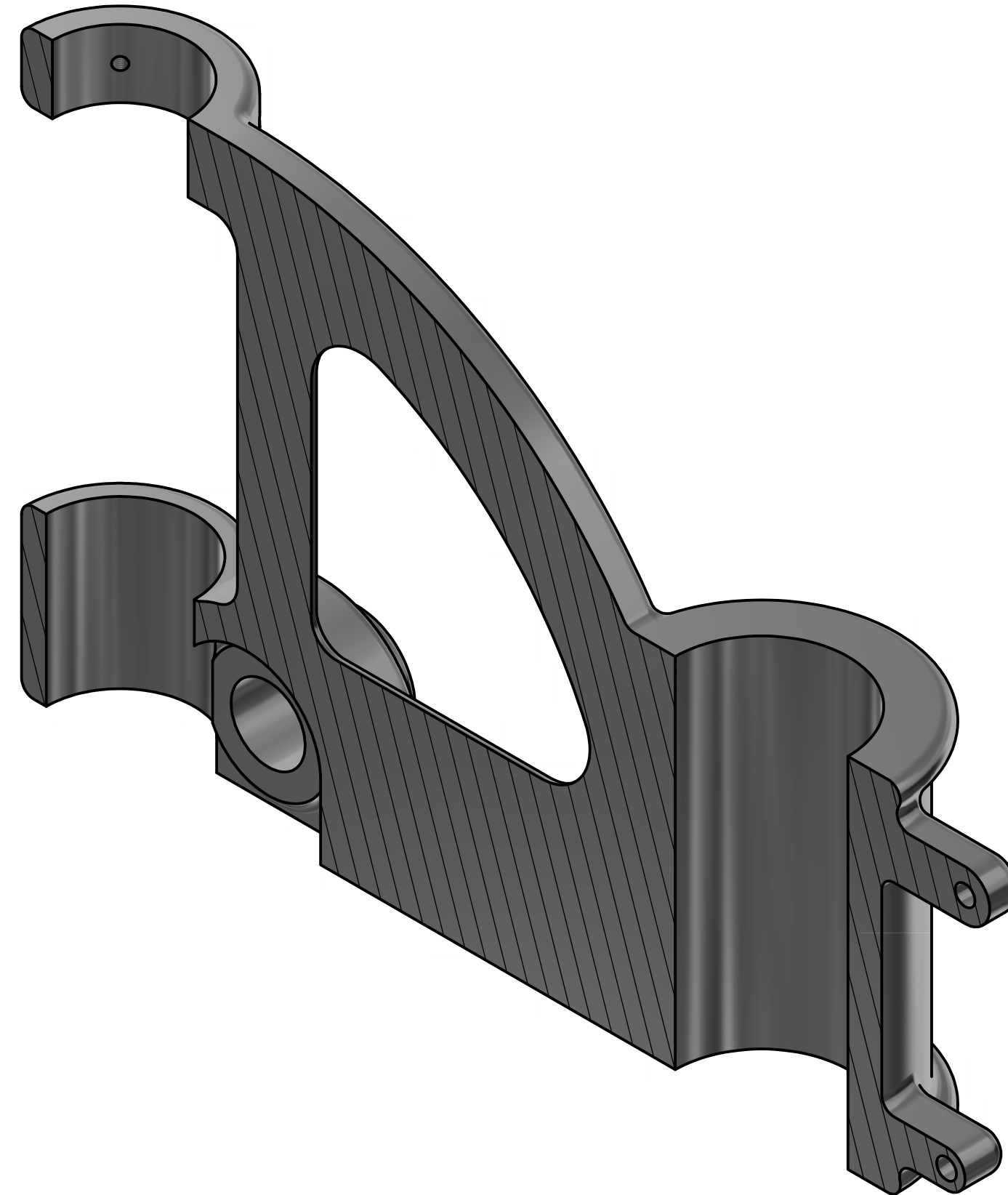
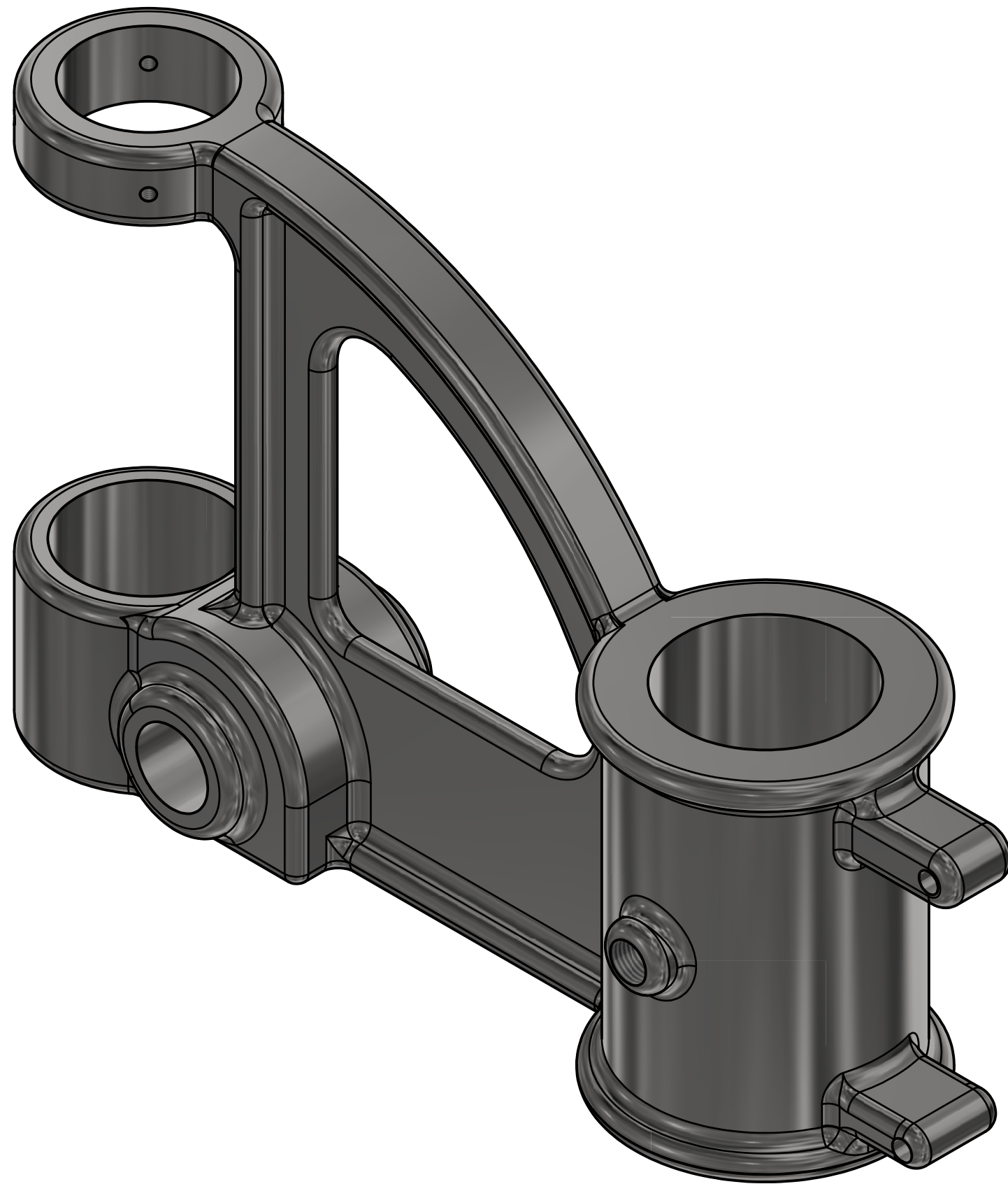
PARTS LIST			
ITEM	QTY	PART NUMBER	MATERIAL
1	1	DRILL PRESS BRACKET	STEEL



DIGITAL DESING
GRAPHICS
TECHNOLOGY

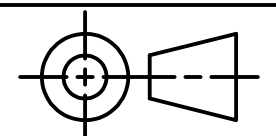
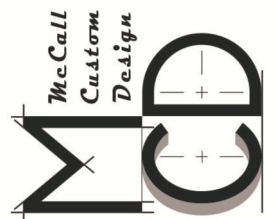
WWW.DDGT.NET

GENERAL NOTES
ROUNDS AND FILLETS
.125 R UNLESS
OTHERWISE SPECIFIED



DRILL PRESS BRACKET
SCALE 1 : 1

Connor McCall
Designer
(707)287-6180
connorm.1440@gmail.com
www.ddgt.net/cmccall



TOLERANCES UNLESS SPECIFIED:
DECIMAL INCHES:
X = ±.020
XX = ±.010
XXX = ±.005
FRACTIONAL: ±1/64"
ANGLES ±1 DEGREE
SURFACES $\sqrt{\quad}$

COURSES: DDGT121

INVENTOR DRAWING NAME:
DRILL PRESS BRACKET

FIG #: 14-35

DRAFTER: CONNOR MCCALL

DATE: 4/22/2019

SCALE: 1:1

PAGE #: 1 OF 2

LEGEND:

- Ø DIAMETER
- R RADIUS
- ° DEGREES

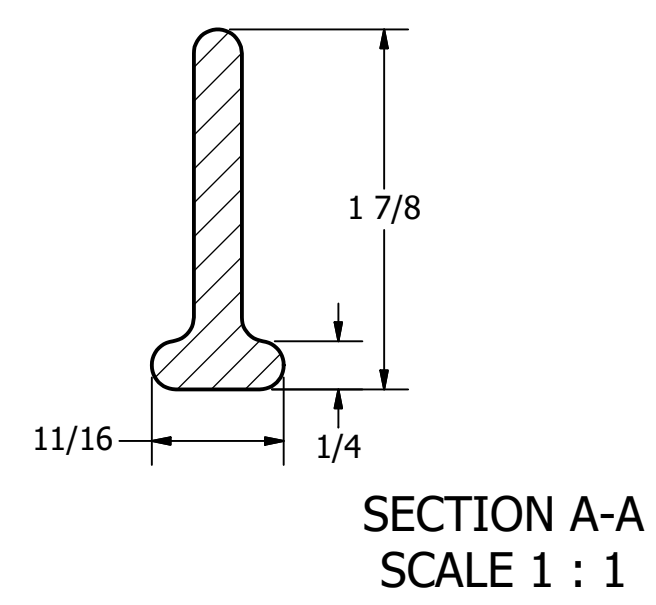
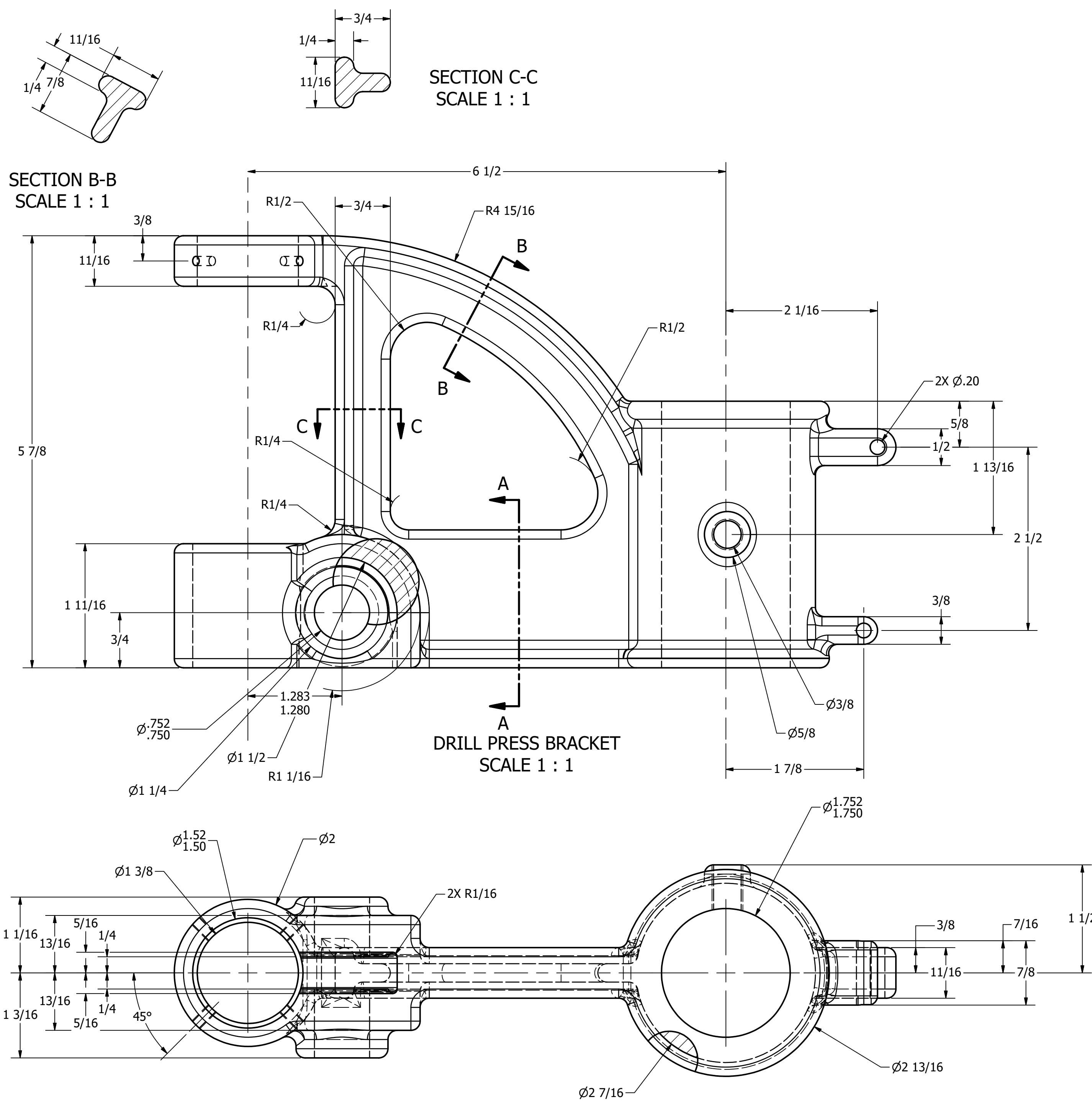
PARTS LIST		
ITEM	QTY	PART NUMBER
1	1	DRILL PRESS BRACKET



DIGITAL DESING
GRAPHICS
TECHNOLOGY

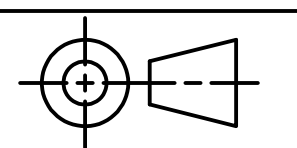
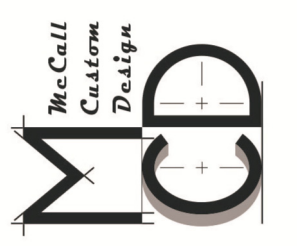
WWW.DDGT.NET

GENERAL NOTES
ROUNDS AND FILLETS
.125 R UNLESS
OTHERWISE SPECIFIED



LEGEND:
 Ø DIAMETER
 R RADIUS
 ° DEGREES

Connor McCall
Designer
(707)287-6180
connorm.1440@gmail.com
www.ddgt.net/cmccall



TOLERANCES UNLESS SPECIFIED:
 DECIMAL INCHES:
 X = ±.020
 XX = ±.010
 XXX = ±.005
 FRACTIONAL = ±1/64"
 ANGLES ±1 DEGREE
 SURFACES 32

COURS:	DDGT121
INVENTOR DRAWING NAME:	DRILL PRESS BRACKET
FIG #:	14-35
DRAFTER:	CONNOR MCCALL
DATE:	4/22/2019
SCALE:	1:1
PAGE #:	2 OF 2